

6

5

4

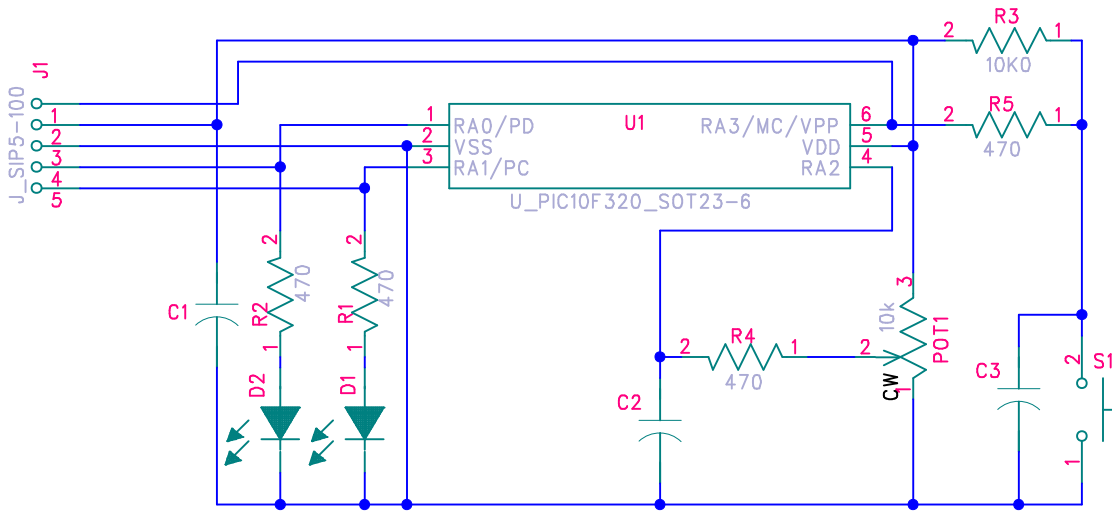
3

2

1

REVISION RECORD

LTR	ECO NO:	APPROVED:	DATE:



COMPANY:

TITLE:

PIC10F320 Demo Board

DRAWN:	DATED:
CHECKED:	DATED:
QUALITY CONTROL:	DATED:
RELEASED:	DATED:

CODE:	SIZE:	DRAWING NO:	REV:
		02-02298-R1	
SCALE:		SHEET: OF	

D

D

C

C

B

B

A

A