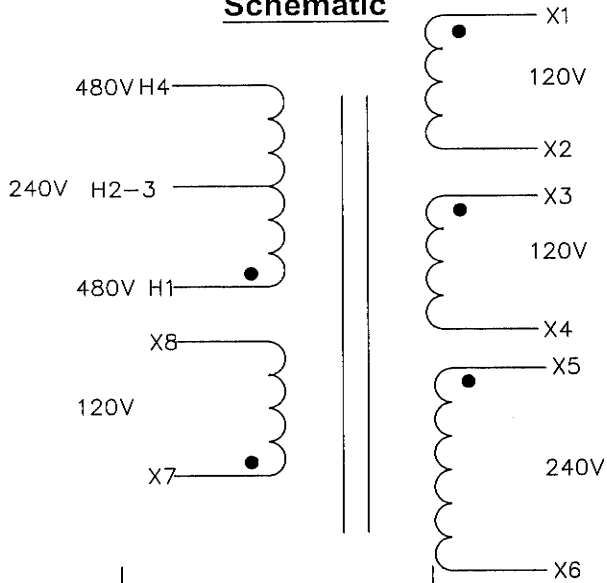


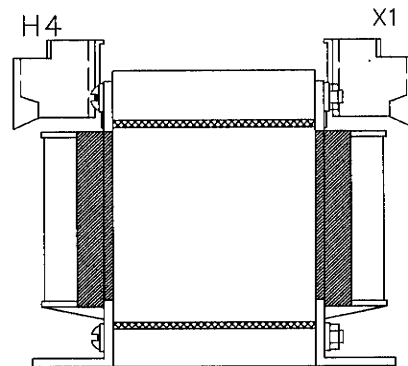
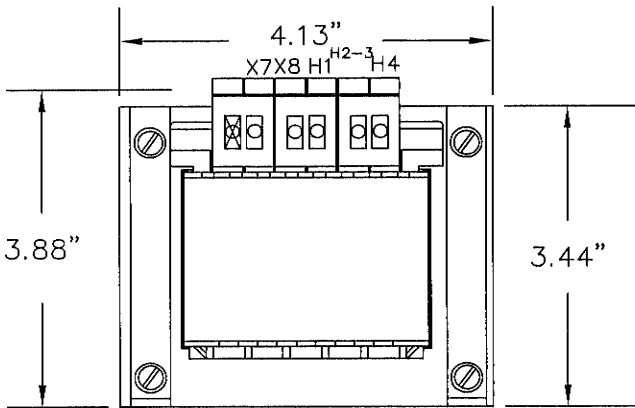
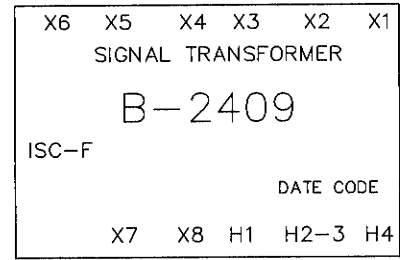
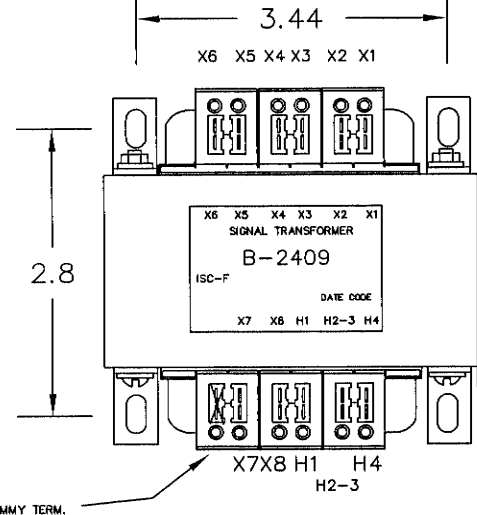
THE INFORMATION CONTAINED HEREIN IS CONSIDERED "PROPRIETARY" TO BEL TRANSFORMER INC. AND SHALL NOT BE COPIED, REPRODUCED OR DISCLOSED WITHOUT EXPRESSED WRITTEN APPROVAL.

Schematic



Specifications:

1. Transformer power isolation; step-down.
2. Power : 400VA
3. Primary : (H1-H4) 208 /240 /480
4. Secondary: (H1- H2-3) 108 /120 /240
(X7-X8) 1/4 Input voltage
(X1-X2,X3-X4) Series or Parallel
(X5-X6) 108/ 120 /240
5. Insulation: Class F 155C E66312
5. Dielectric Strength: 2500 VRMS Hipot.
6. Agency : Designed to mee UL 5085-2



<p>500 Bayview Avenue Inwood, NY 11096-1792 (516) 239-5777 Fax: (516) 239-7208</p>	TITLE	FILE NAME	SIGNAL PART NO.		REV.
	Data Sheet	B-2409SD.dwg	B-2409		P1
	UNLESS OTHERWISE SPECIFIED DIMENSIONS ARE IN INCHES TOLERANCES ON	DESIGNED BY	DATE	DRAWN BY	DATE
	FRACTIONS ±1/16 ANGLES ±1° DECIMALS .XX ±.06 .XXX ±.010	AH	6-29-12	AH	6-29-12
	SCALE	UNIT	SIZE:	PAGE:	
	N/A	INCH	A	1	