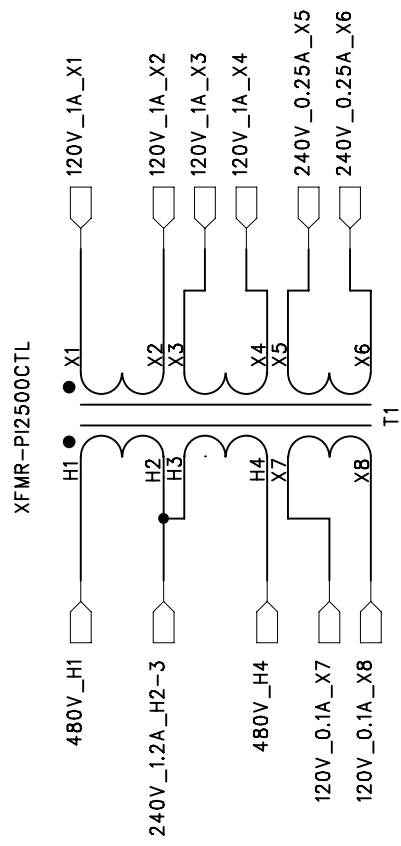


6 5 4 3 2 1

REVISION RECORD		
LTR	ECO NO:	APPROVED:



- Notes:
- H1 may be powered from 480, 240, or 208
 - H2 and H3 tap provide 240/120/108 to 120W SMPS
 - X1, X2, X3, and X4 will be connected series or parallel
 - X5 and X6 provide 240/120/108 to 25W SMPS
 - X7 and X8 must provide 1/4 input voltage for metering
 - Size and shape similar to Hammond PH250MQMJ

COMPANY: Electrical Test Instruments, Inc.	
TITLE: PI2500 Control Transformer	
CODE:	DRAWING NO: M-D357
SIZE:	REV: 0
SCALE:	SHEET: 1 OF 1

DRAWN: PES	DATED: 10/30/08
CHECKED:	DATED:
QUALITY CONTROL:	DATED:
RELEASED:	DATED:

D

C

B

A

D

C

B

A