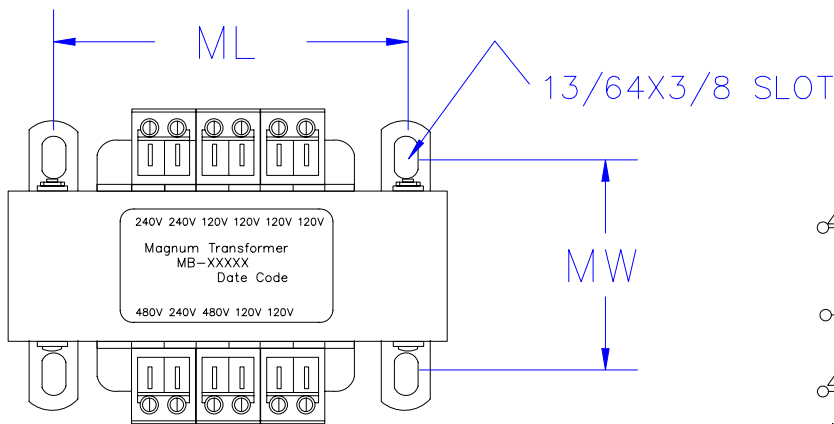
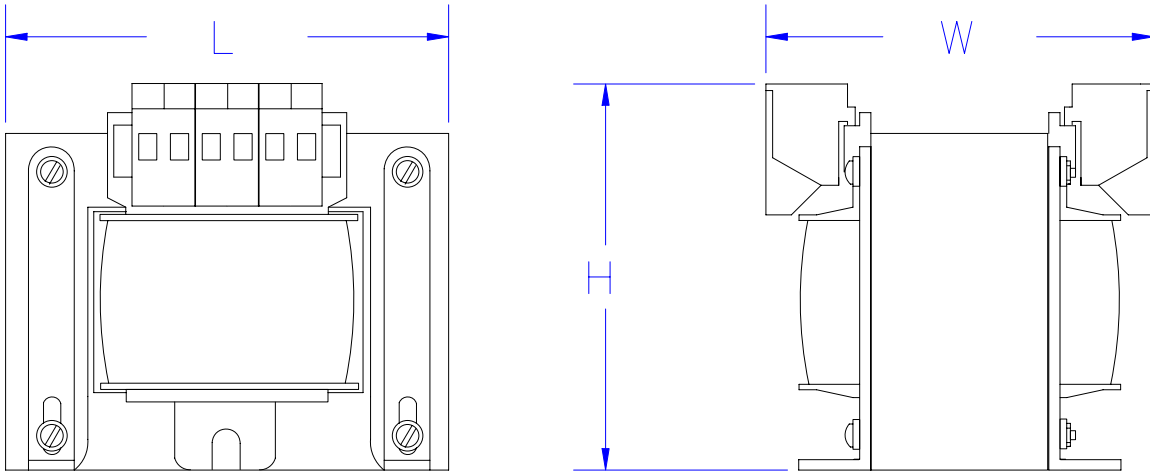


51562 DWG NO. PI2500CTL SH 1

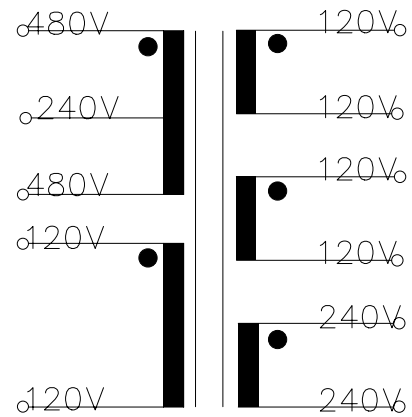
APPLICATION

REVISIONS

NEXT ASSY	USED ON	NTR	DESCRIPTION	DATE	APPROVED
		01	INITIAL RELEASE SC	11/27/08	



SCHEMATIC



NOTES:

MULTI PRIMARY: 108V/120V/208V/240V/480V
 50/60HZ
 MULTI SECONDARY: X1/X2/X3/X4 120V PARALLEL
 OR SERIES. X5/X6 108/120/240V. X7/X8 1/4
 INPUT VOLTAGE

VA SIZE	L	H	W	MW	ML
400	(4.13")	(4.00")	(4.17")	(2.79")	(3.44")

UNLESS OTHERWISE SPECIFIED
 DIMENSIONS ARE IN INCHES
 TOLERANCES ON
 FRACTIONS ±1/4 ANGLES ±1°
 DECIMALS .XX ±.01 .XXX ±.005

MATERIAL :
 CORE: NON GRAIN SILICON STEEL
 BOBBIN: GLASS FILLED NYLON
 TERMINALS: SAFE TOUCH
 WIRE: SINGLE POLY NYLON
 BRACKETS: CRS
 TAPE: POLYESTER AND CLOTH
 VARNISH: VINYL TOLUENE

FINISH :
 AIR DRY CLEAR
 VARNISH

CONTRACT NO.	DATE
DRAWN SC	11/27/08
CHECKED	
A	
P	
D	

SIZE	CAGE CODE
A	51562

MAGNUM TRANSFORMER
 653 SAYRE AVE. PERTH AMBOY, N.J. 08861

TITLE
 HORIZONTAL CHASSIS MOUNT POWER
 ISOLATION TRANSFORMER.

NUMBER	REV.
PI2500CTL	01

SCALE	NOT TO SCALE	WEIGHT	9.82LBS	SHEET	1 OF 1
-------	--------------	--------	---------	-------	--------