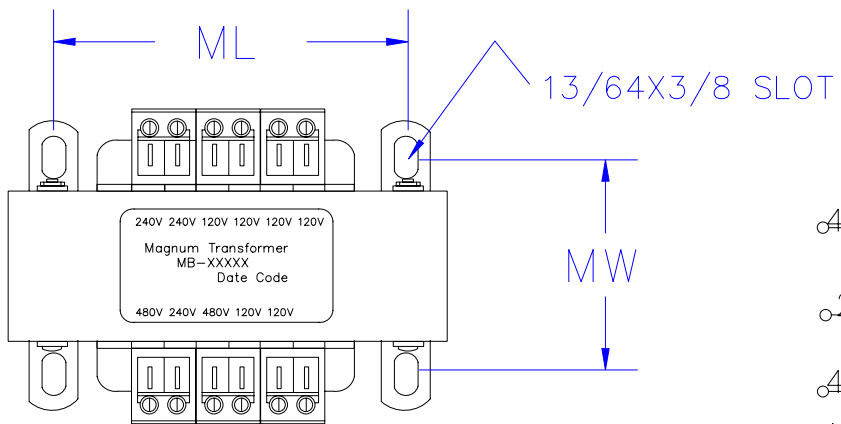
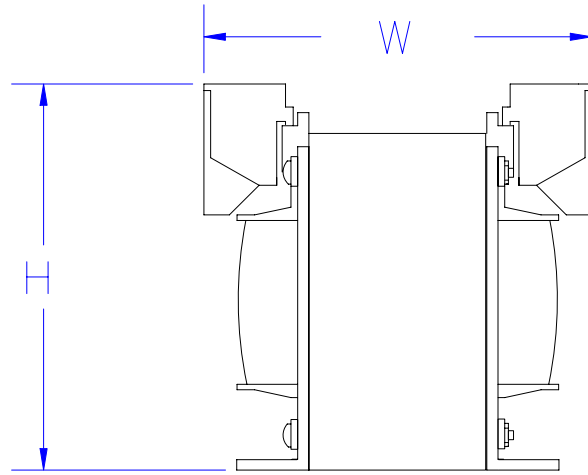
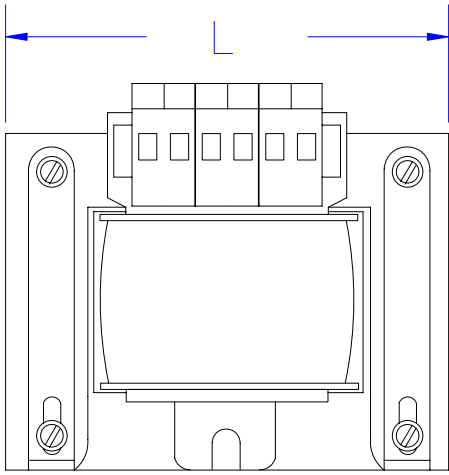


51562 DWG NO. PI2500CTL SH 1

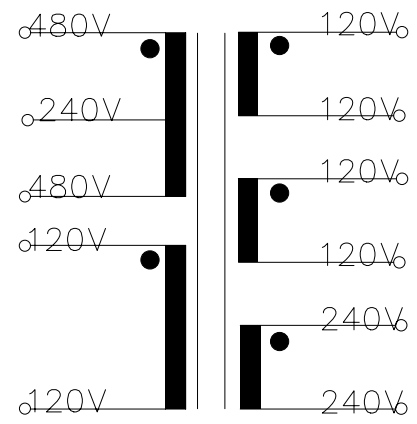
APPLICATION

REVISIONS

NEXT ASSY	USED ON	NTR	DESCRIPTION	DATE	APPROVED
		01	INITIAL RELEASE SC	11/27/08	



SCHEMATIC



NOTES:

MULTI PRIMARY: 108V/120V/208V/240V/480V
 50/60HZ
 MULTI SECONDARY: X1/X2/X3/X4 120V PARALLEL
 OR SERIES. X5/X6 108/120/240V. X7/X8 1/4
 INPUT VOLTAGE

VA SIZE	L	H	W	MW	ML
400	(4.13")	(4.00")	(4.17")	(2.79")	(3.44")

UNLESS OTHERWISE SPECIFIED
 DIMENSIONS ARE IN INCHES
 TOLERANCES ON
 FRACTIONS ±1/4 ANGLES ±1°
 DECIMALS .XX ±.01 .XXX ±.005

MATERIAL :
 CORE: NON GRAIN SILICON STEEL
 BOBBIN: GLASS FILLED NYLON
 TERMINALS: SAFE TOUCH
 WIRE: SINGLE POLY NYLON
 BRACKETS: CRS
 TAPE: POLYESTER AND CLOTH
 VARNISH: VINYL TOLUENE

FINISH :
 AIR DRY CLEAR
 VARNISH

CONTRACT NO.		DATE
DRAWN SC		11/27/08
CHECKED		
A		
P		
D		
SIZE	CAGE CODE	
A	51562	

<h2>MAGNUM TRANSFORMER</h2> <p>653 SAYRE AVE. PERTH AMBOY, N.J. 08861</p>		
TITLE		
HORIZONTAL CHASSIS MOUNT POWER ISOLATION TRANSFORMER.		
NUMBER	PI2500CTL	REV. 01
SCALE	NOT TO SCALE	WEIGHT 9.82LBS SHEET 1 OF 1