

6

5

4

3

2

1

| REVISION RECORD | | | |
|-----------------|-------------|-------|-------|
| Rev Num | Description | App'd | DATE: |
| | | | |
| | | | |
| | | | |

D

D

C

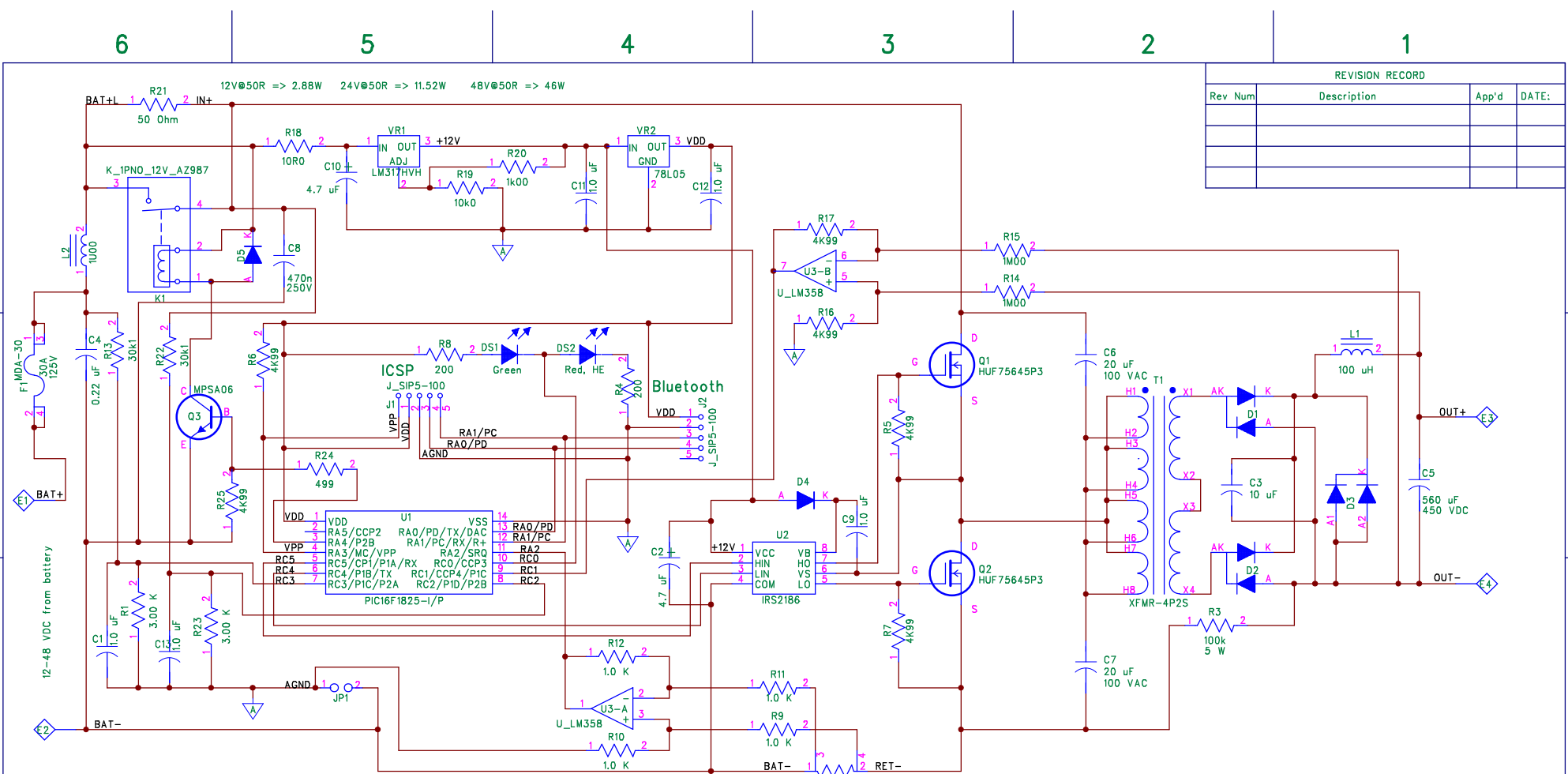
C

B

B

A

A



12V@20A=>120V@2A (240W)
 24V@20A=>240V@2A (480W)
 48V@20A=>480V@2A (960W)

RA5: Spare (CCP2)
 RA4: Enable Relay (AN3)
 RA3: VPP/MCLR
 RC5: PWMHI (P1A)
 RC4: PWMLO (P1B)
 RC3: Vbat1/11 (P2A, AN7)
 RC2: Vin/11 (AN6)
 RC1: Vout/200 (AN5)
 RC0: LEDS (AN4)
 RA2: Iout (AN2)
 RA1: PC (RX, AN1)
 RA0: PD(TX, AN0)

0.01 @20A = 0.20V 4W

| | | | |
|----------------------------------|-----------------|------------------------|-------------|
| COMPANY: P S Technology, Inc. | | | |
| TITLE: Half_Bridge_DC-DC_PIC1825 | | | |
| DRAWN: Paul E. Schoen | DATED: 12/23/14 | CODE: | REV: |
| CHECKED: | DATED: | SIZE: | DRAWING NO: |
| QUALITY CONTROL: | DATED: | Half-Bridge_PIC16F1825 | |
| RELEASED: | DATED: | SCALE: | SHEET: OF |