

6

5

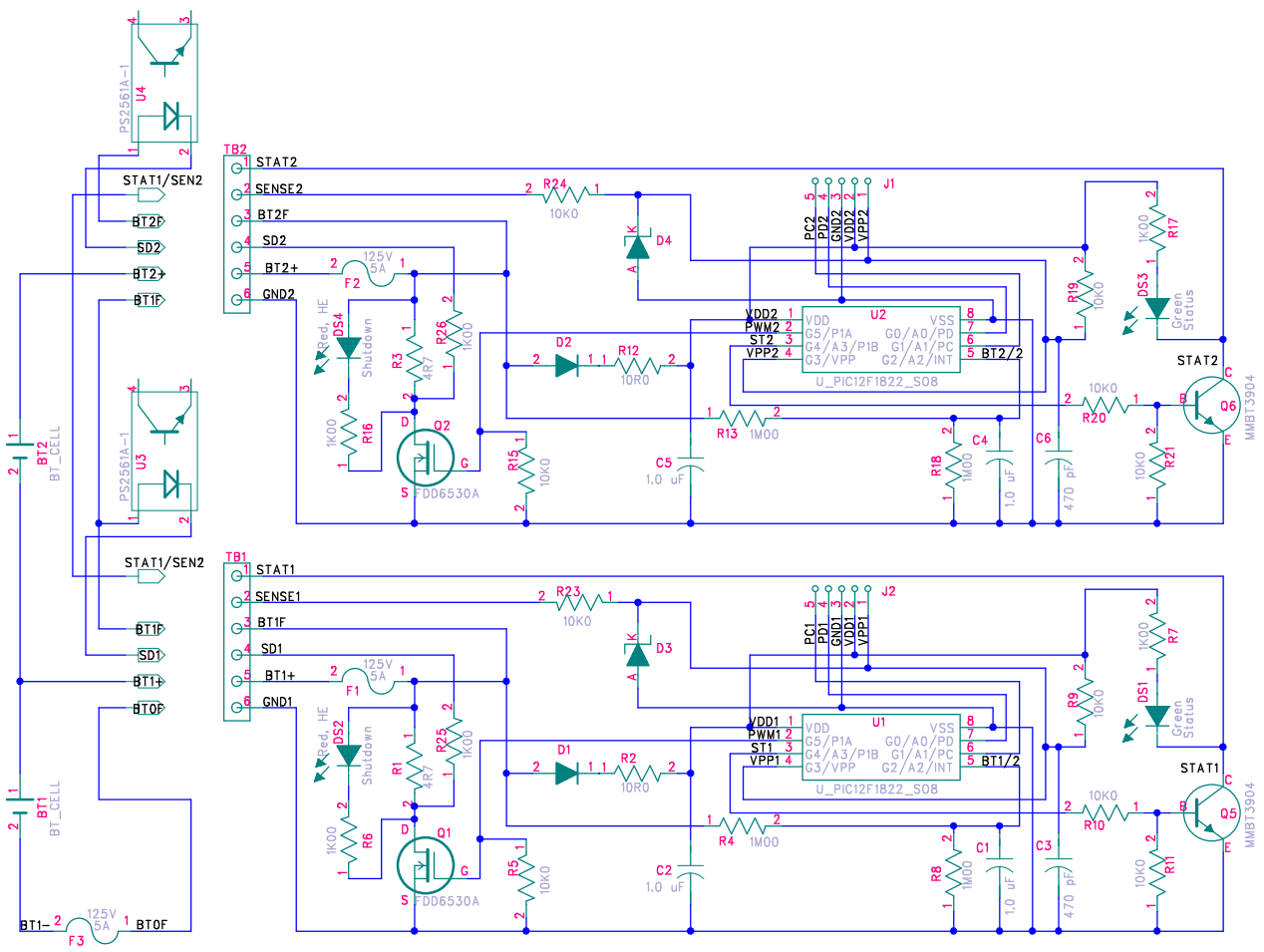
4

3

2

1

REVISION RECORD			
Rev Num	Description	App'd	DATE:



2.5V = low voltage discharge shutdown
 2.6-3.3V = normal LiFePO4
 3.4V = top balance shunting
 3.6V = Overvoltage shutdown

3.0V Li-Ion
 3.1-4.1V - Li-Ion
 4.2V Li-Ion
 4.5V Li-Ion

PIC12F1822 1.8-5.5V, 24-50 uA sleep
 PIC12LF1822 1.8-3.6V, 30nA-2.0uA sleep

STAT line low takes G3 low on next unit up
 Green STAT LED lights during signal transmission
 PWM causes shunting through MOSFET and 4R7 resistor
 Red shutdown LED shows shunting status
 Series diode drops battery voltage 0.6V to 1.9-3.0 LiFePO4

DRAWN: Paul E. Schoen	DATED: 07/15/2014
CHECKED:	DATED:
QUALITY CONTROL:	DATED:
RELEASED:	DATED:

COMPANY: P S Technology, Inc.			
TITLE: BMS 12F1822 Simple			
CODE:	SIZE:	DRAWING NO:	REV:
SCALE:		SHEET: OF	