



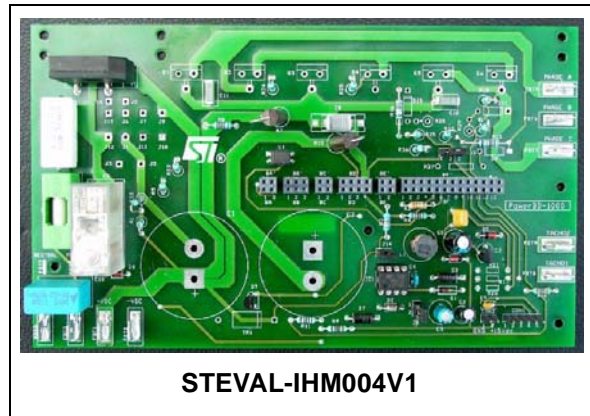
# STEVAL-IHM004V1

## BLDC & AC Motor Control Power Driver Board 1KW

Data Brief

### Features

- Quick to set up, to install and easy to run
- Inverter stage IGBT short circuit rugged based
- Design is re-usable (the ORCAD source files are available for free)
- Several kinds of applications with six-step commutation or 6-signal PWM (sine wave-modulated) outputs, including: 3 Phase AC Induction motor control, 3 Phase BLDC/AC PM motor control (6-step sensorless), 3 Phase BLAC PM motor control (sinusoidal driven, with Hall sensors)
- Optimized layout to provide very low level of interference between the Power and the Signal noise
- Modular approach with three different power board module (300W, 1kW, 3kW)



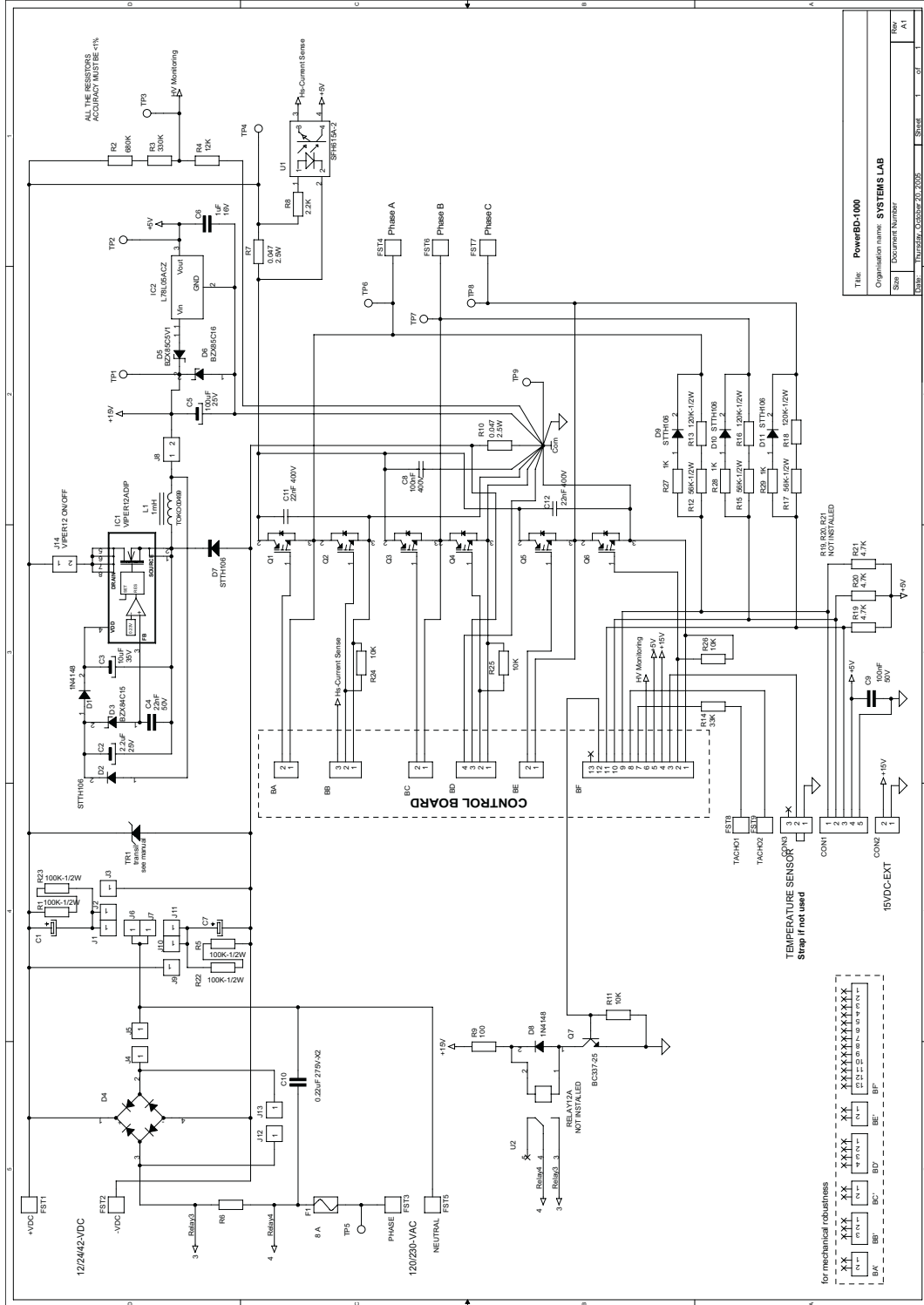
### Applications

The general hardware architecture of the reference design kit is based on an Inverter topology suitable to efficiently drive three types of motors: "3 Phase BLDC/AC Permanent Magnet (in six-step mode)", "3 Phase AC Induction" and "3 Phase BLAC PM motor (sinusoidal driven)" plus a plug-in control board, based on ST7FMC MCU.

The inverter bridge is made by six IGBTs short circuit rugged rated at 10uS with different option of current capability in relationship to the power needed by the customer final application. The driving of the bridge is made by three IGBTs drivers (suited in the control board) with High Side/Low Side integrated functionality in a single chip with also several protections. The supply of the power is implemented using the Viper, a Vertical Intelligent Power Enhanced Regulators which combines an optimized, high voltage, Vertical Power MOSFET with state-of-the-art PWM circuitry.

# 1 Board Schematic

Figure 1. Scheme



## 2 Revision history

Date	Revision	Changes
29-Nov-2005	1	Initial release.

Information furnished is believed to be accurate and reliable. However, STMicroelectronics assumes no responsibility for the consequences of use of such information nor for any infringement of patents or other rights of third parties which may result from its use. No license is granted by implication or otherwise under any patent or patent rights of STMicroelectronics. Specifications mentioned in this publication are subject to change without notice. This publication supersedes and replaces all information previously supplied. STMicroelectronics products are not authorized for use as critical components in life support devices or systems without express written approval of STMicroelectronics.

The ST logo is a registered trademark of STMicroelectronics.  
All other names are the property of their respective owners

© 2005 STMicroelectronics - All rights reserved

STMicroelectronics group of companies

Australia - Belgium - Brazil - Canada - China - Czech Republic - Finland - France - Germany - Hong Kong - India - Israel - Italy - Japan -  
Malaysia - Malta - Morocco - Singapore - Spain - Sweden - Switzerland - United Kingdom - United States of America

[www.st.com](http://www.st.com)