

6

5

4

3

2

1

D

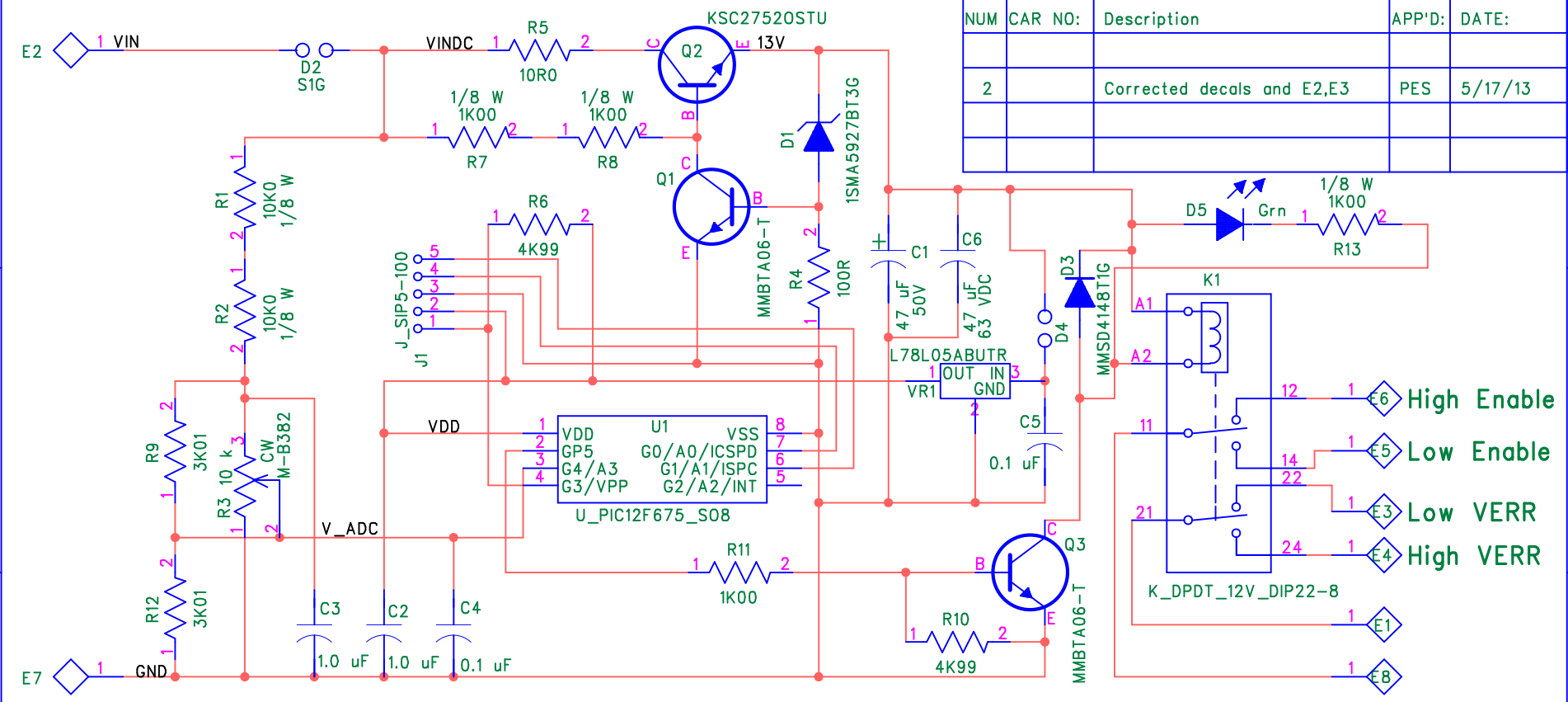
C

B

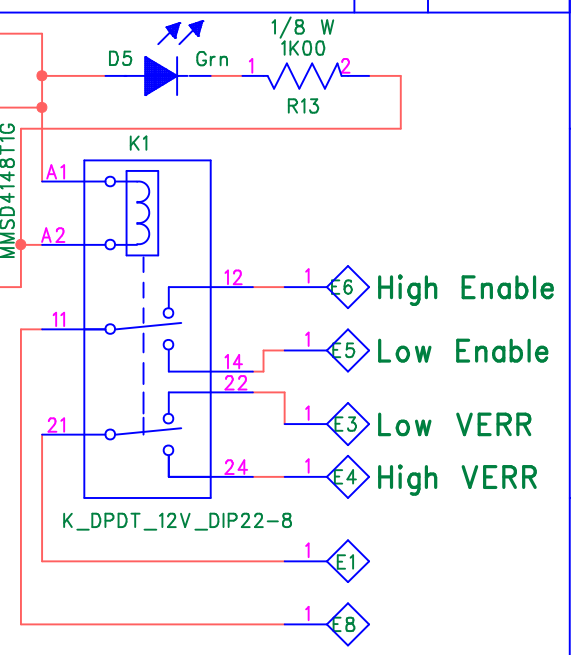
D

C

B



REVISION RECORD				
NUM	CAR NO:	Description	APP'D:	DATE:
2		Corrected decals and E2,E3	PES	5/17/13



COMPANY: **Electrical Test Instruments, Inc.**

TITLE: **Voltage Sensor Relay for 16-18 VDC**

A

A

DRAWN: PES	DATED: 04/17/13
CHECKED:	DATED:
QUALITY CONTROL:	DATED:
RELEASED:	DATED:

CODE:	SIZE:	DRAWING NO: VRLY_PI800	REV: 2
SCALE:		SHEET: OF	