

6

5

4

3

2

1

RA0: Analog Sig In
 RA1: Spare AN1
 RA2: Spare AN2/Vref-
 RA3: Analog Vref+
 RA4: USB Status
 RA5: USB OK

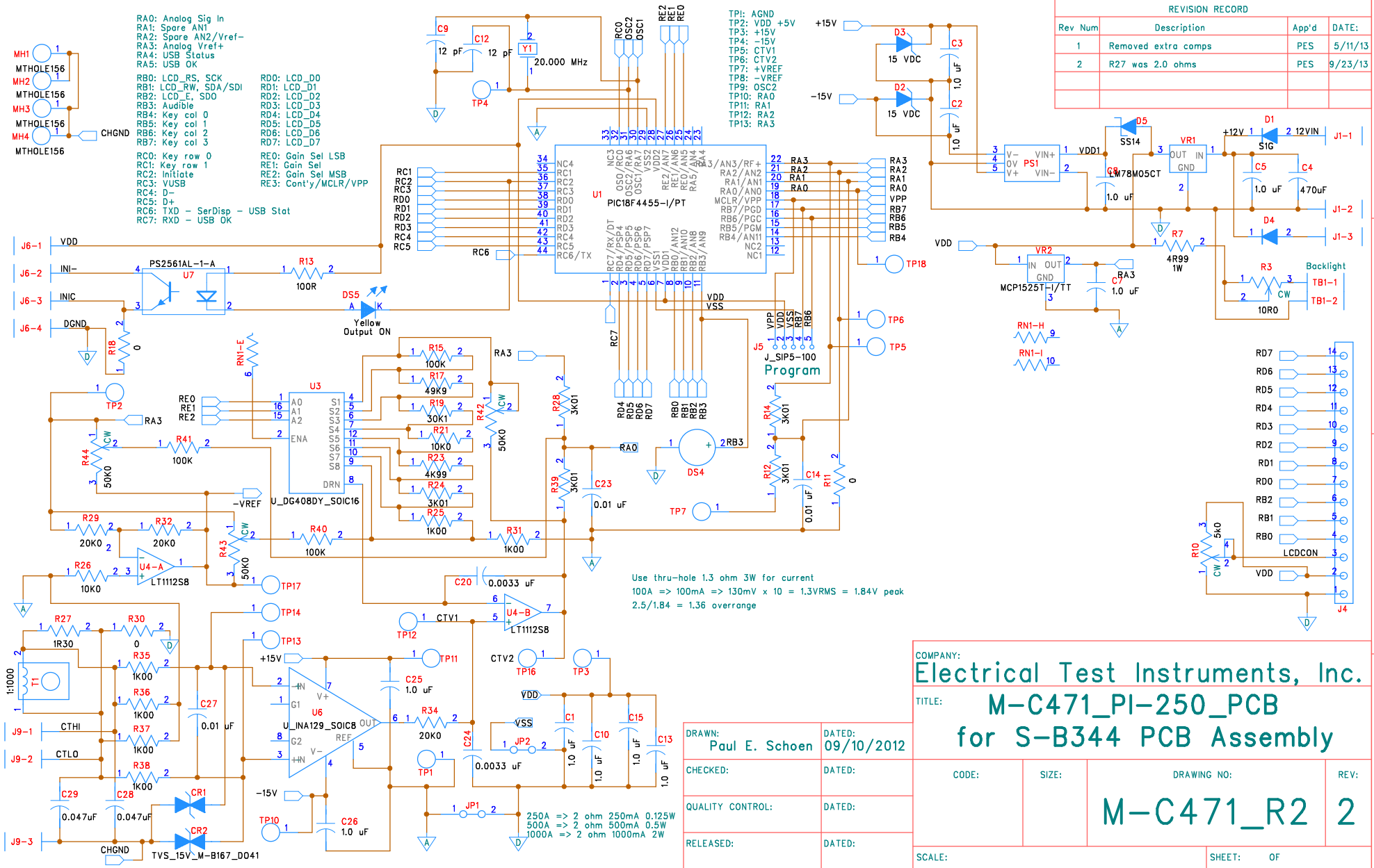
RB0: LCD_RS, SCK
 RB1: LCD_RW, SDA/SDI
 RB2: LCD_E, SDO
 RB3: Audible
 RB4: Key col 0
 RB5: Key col 1
 RB6: Key col 2
 RB7: Key col 3

RC0: Key row 0
 RC1: Key row 1
 RC2: Initiate
 RC3: VUSB
 RC4: D-
 RC5: D+
 RC6: TXD - SerDisp - USB Stat
 RC7: RXD - USB OK

RD0: LCD_D0
 RD1: LCD_D1
 RD2: LCD_D2
 RD3: LCD_D3
 RD4: LCD_D4
 RD5: LCD_D5
 RD6: LCD_D6
 RD7: LCD_D7

RE0: Gain Sel LSB
 RE1: Gain Sel
 RE2: Gain Sel MSB
 RE3: Cont'y/MCLR/VPP

REVISION RECORD			
Rev Num	Description	App'd	DATE:
1	Removed extra comps	PES	5/11/13
2	R27 was 2.0 ohms	PES	9/23/13



COMPANY:
Electrical Test Instruments, Inc.

TITLE:
**M-C471_PI-250_PCB
 for S-B344 PCB Assembly**

DRAWN: Paul E. Schoen	DATED: 09/10/2012	CODE:	SIZE:	DRAWING NO:	REV: M-C471_R2 2
CHECKED:	DATED:				
QUALITY CONTROL:	DATED:				
RELEASED:	DATED:				
SCALE:				SHEET: OF	

6

5

4

3

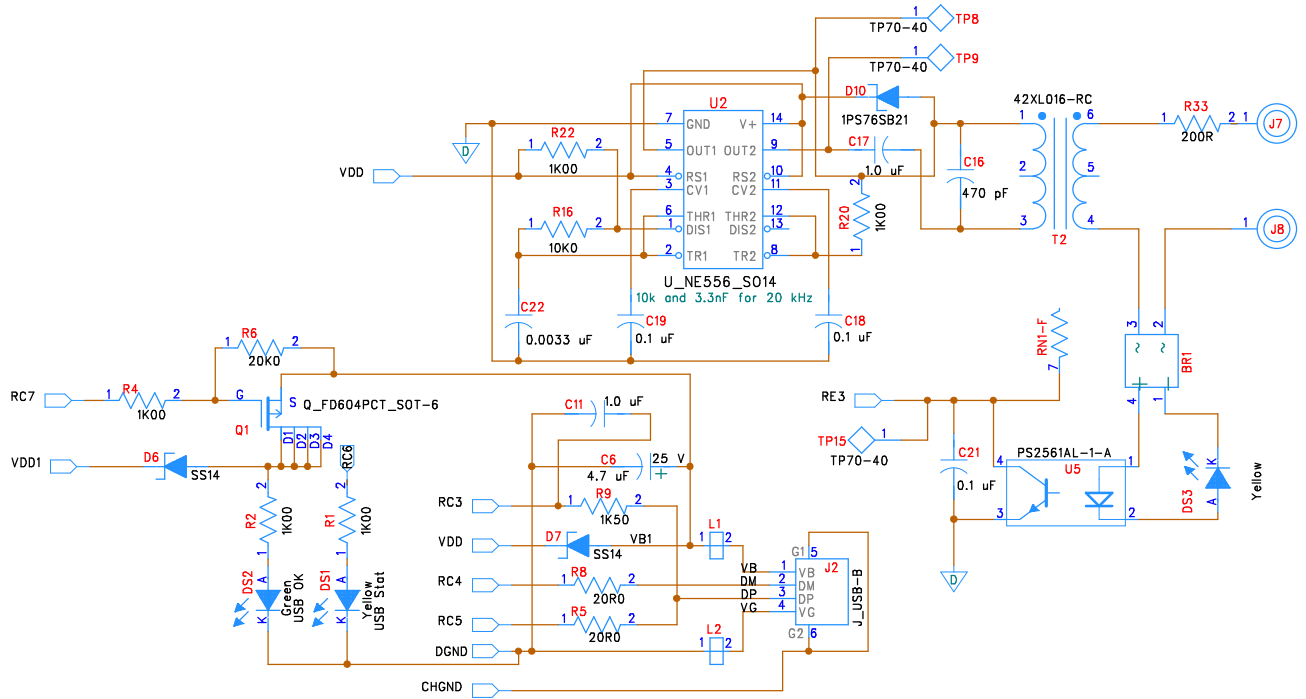
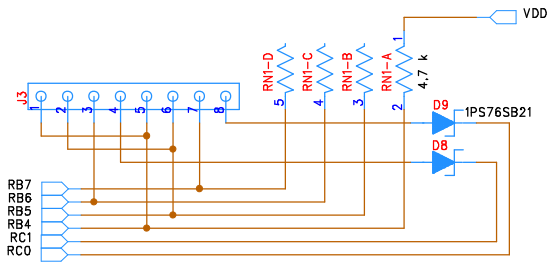
2

1

REVISION RECORD			
Rev Num	Description	App'd	DATE:

S6 Range UP	S3 Mom/Maint	S1 INIT
S7 Range DOWN	S4 Mode	S2
S8 RESET ENTER	S5 Sec/Cyc	STOP

Disallowed:
A+G, B+H, C+F, D+E



COMPANY: P S Technology, Inc.

TITLE: PI-250 PCB

DRAWN: Paul E. Schoen	DATED: 05/11/2013	CODE:	SIZE:	DRAWING NO:	REV:
CHECKED:	DATED:	M-C471_R2 2			
QUALITY CONTROL:	DATED:				
RELEASED:	DATED:				
SCALE:				SHEET:	OF

D

D

C

C

B

B

A

A