

1

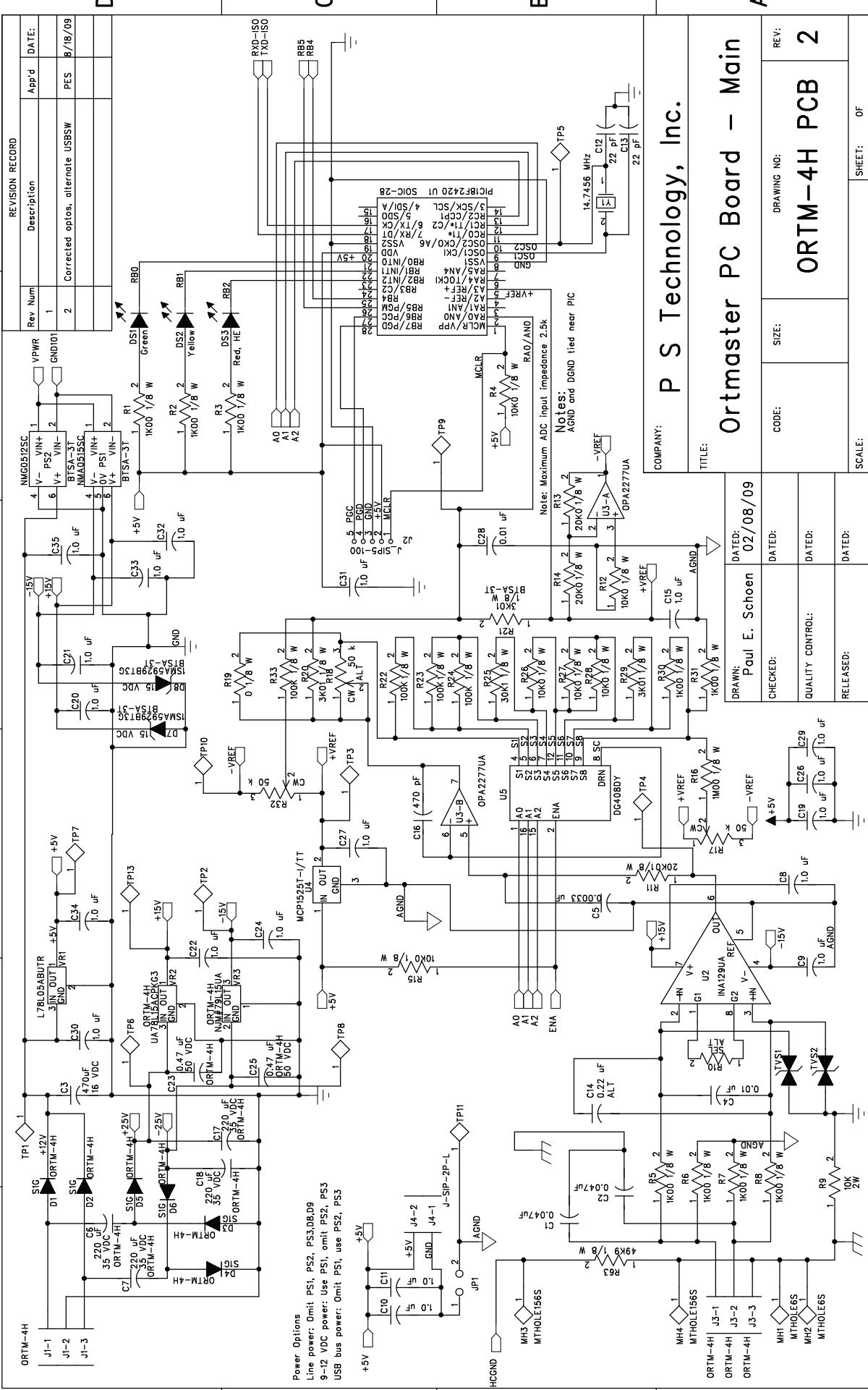
2

3

4

5

6



REVISION RECORD			
Rev Num	Description	App'd	DATE:
1			
2	Corrected optos, alternate USSSW	PES	8/18/09

COMPANY: **P S Technology, Inc.**

TITLE: **Ortmaster PC Board - Main**

DRAWN: Paul E. Schoen	DATED: 02/08/09
CHECKED:	DATED:
QUALITY CONTROL:	DATED:
RELEASED:	DATED:

CODE:	SIZE:	DRAWING NO:	REV:
		<b>ORTM-4H PCB</b>	<b>2</b>

SCALE:

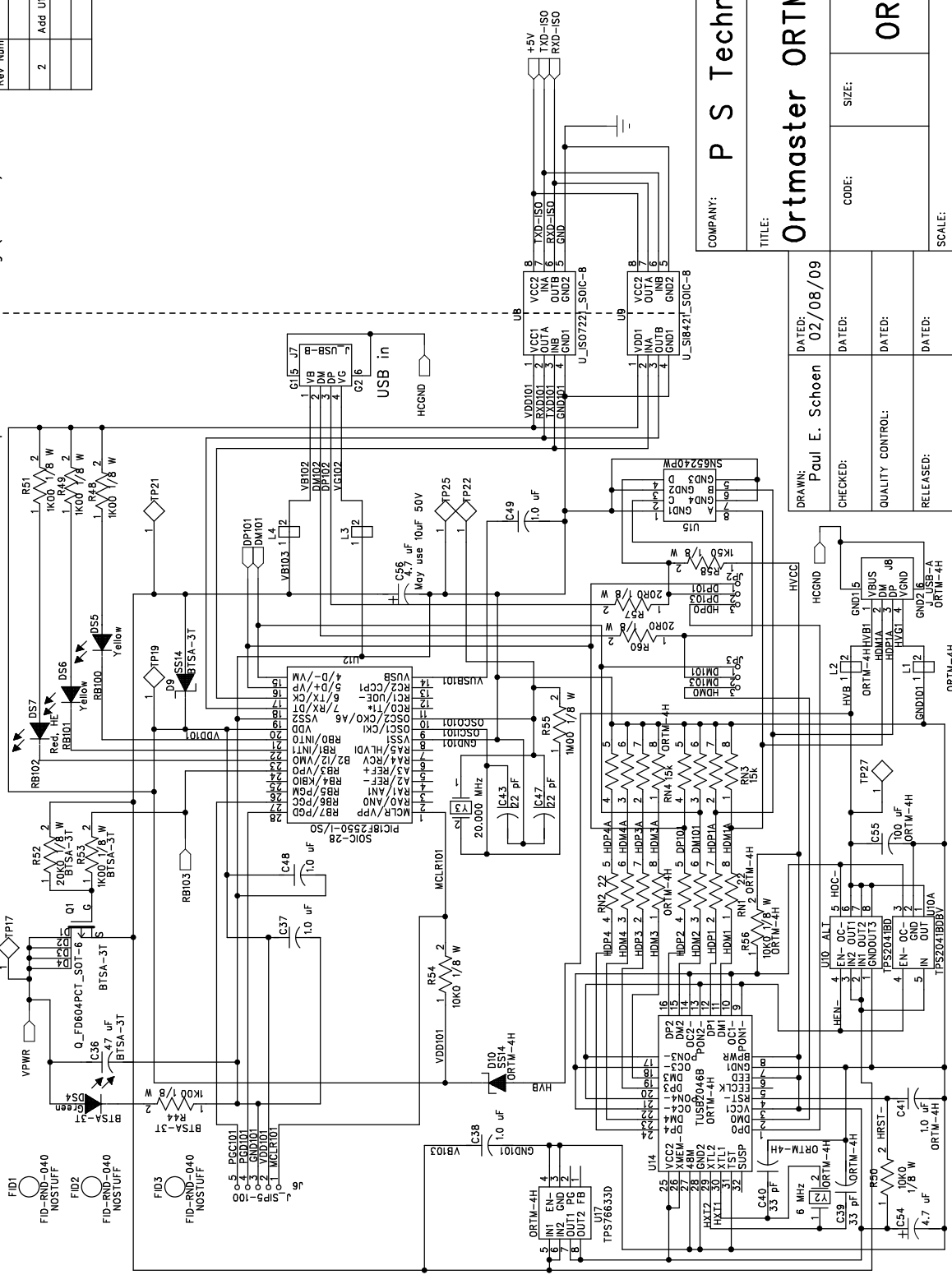
SHEET: OF

**Power Options**  
 Line power: Omit PS1, PS2, PSS,DB,09  
 9-12 VDC power: Use PS1, omit PS2, PS3  
 USB bus power: Omit PS1, use PS2, PS3

REVISION RECORD	
Rev Num	Description
2	Add UIDA
App'd	DATE:
PES	8/18/09

Computer and USB Analog (Isolated)

Note: For BTSA-3T remove R53, connect RB103 to HEN- connect TP17 to TP27



COMPANY: P S Technology, Inc.

TITLE: <b>Ortmaster ORTM-4 USB section</b>	
DRAWN: Paul E. Schoen	DATE: 02/08/09
CHECKED:	DATE:
QUALITY CONTROL:	DATE:
RELEASED:	DATE:
CODE:	SIZE:
REV:	
DRAWING NO:	
<b>ORTM-4H PCB</b>	
SCALE:	SHEET: OF

1

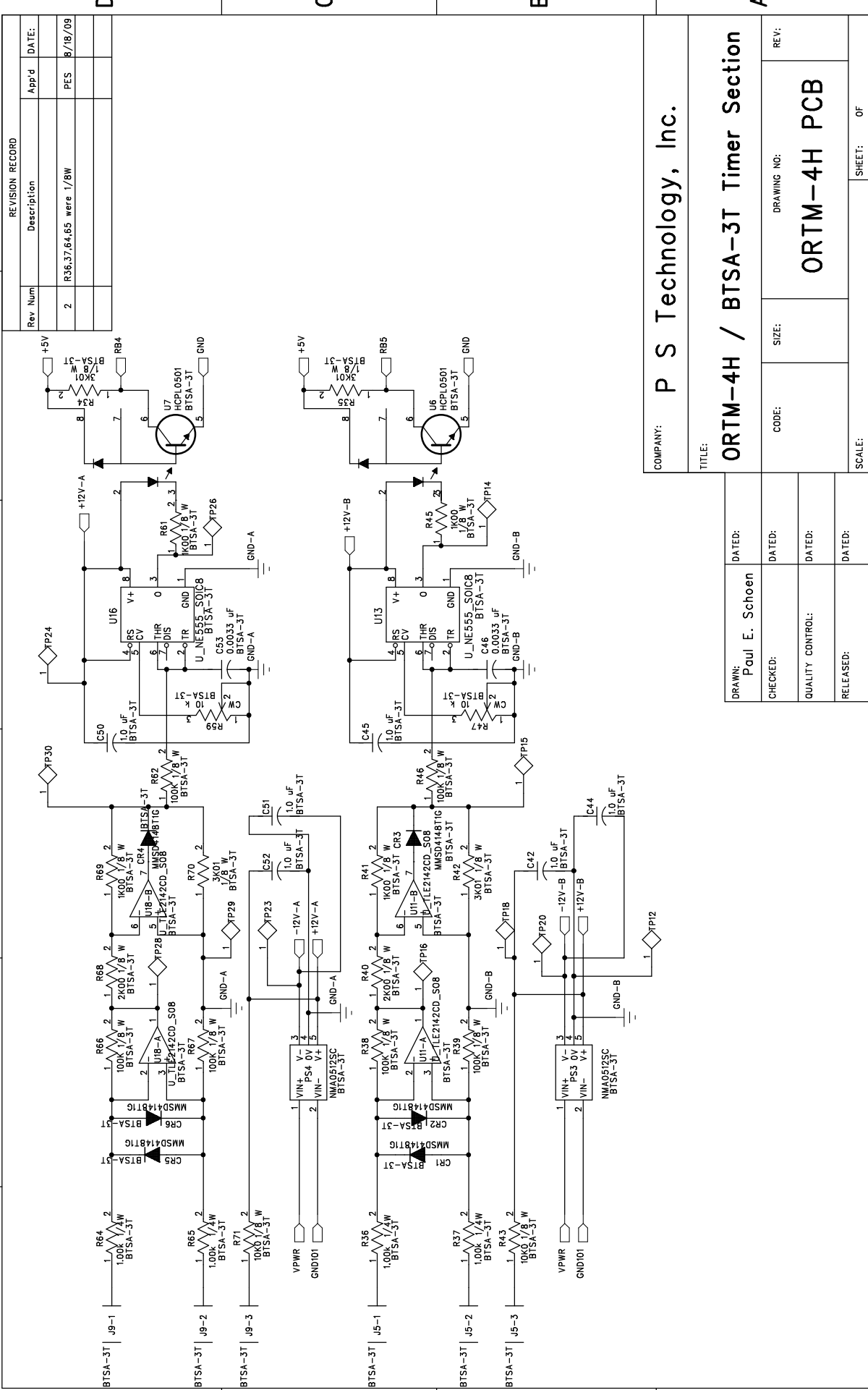
2

3

4

5

6



REVISION RECORD		
Rev Num	Description	App'd DATE:
2	R56,37,64,65 were 1/BW	PES 8/18/09

COMPANY: P S Technology, Inc.

TITLE: ORTM-4H / BTSA-3T Timer Section	
CODE:	DRAWING NO:
SIZE:	REV:
SCALE:	SHEET: OF

DRAWN: Paul E. Schoen	DATED:
CHECKED:	DATED:
QUALITY CONTROL:	DATED:
RELEASED:	DATED: