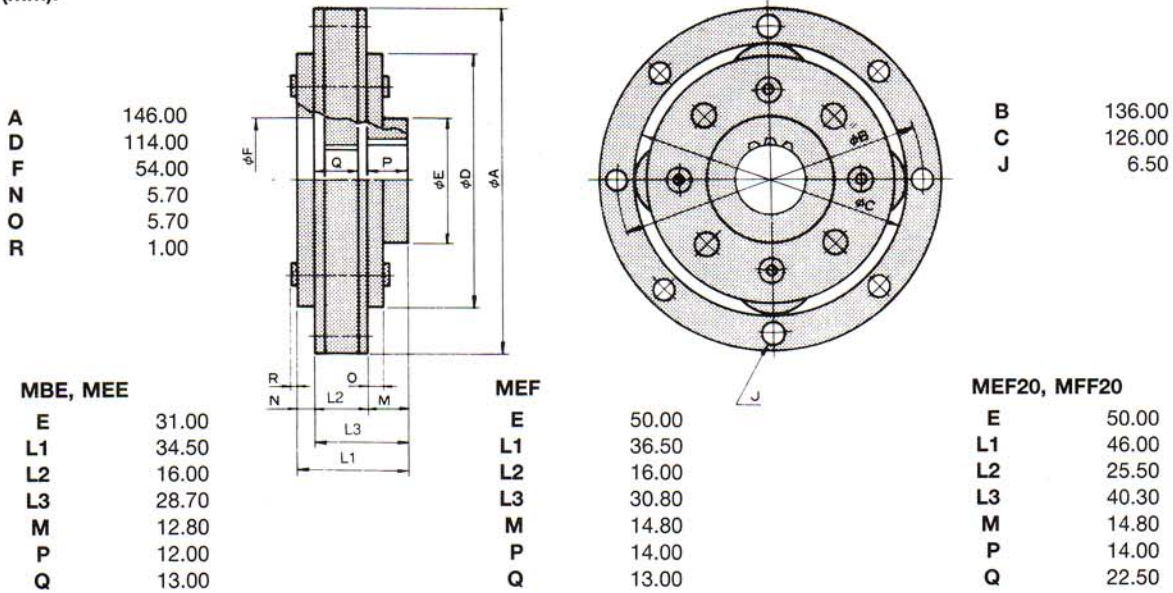


Matex Planetary Gears



LGU 146-M (146-mm or 5.745-in. steel)

Dimensions (mm):



	Maximum Torque, kg-cm (in.-lb.)	Reduction Ratio, Nominal (Actual)	Moment of Inertia, kg-cm ²
3MBE	3500 (3043)	3:1 (3:1)	102.40
4MBE	3500 (3043)	4:1 (4:1)	104.10
5MBE	3500 (3043)	5:1 (5:1)	110.30
3MEE	3500 (3043)	3:1 (3:1)	102.40
4MEE	3500 (3043)	4:1 (4:1)	104.00
5MEE	3500 (3043)	5:1 (5:1)	110.20
3MEF	3500 (3043)	3:1 (3:1)	105.40
4MEF	3500 (3043)	4:1 (4:1)	107.00
5MEF	3500 (3043)	5:1 (5:1)	113.20
3MEF20	5500 (4783)	3:1 (3:1)	118.80
4MEF20	5500 (4783)	4:1 (4:1)	115.50
5MEF20	5500 (4783)	5:1 (5:1)	122.60
3MFF20	5500 (4783)	3:1 (3:1)	—

INPUT CONNECTION

Male Spline			Female Spline		
Size, mm	Teeth, number	Module, mm	Size, mm	Teeth, number	Module, mm
(14-mm diameter hole with 5 mm x 16 mm keyway)					
MBE			21.00	10	1.75
MEE			21.00	10	1.75
MEF			21.00	10	1.75
MEF20			21.00	10	1.75
MFF20			38.00	17	2.00

OUTPUT CONNECTION

Female Spline		
Size, mm	Teeth, number	Module, mm
21.00	10	1.75
21.00	10	1.75
38.00	17	2.00
38.00	17	2.00
38.00	17	2.00