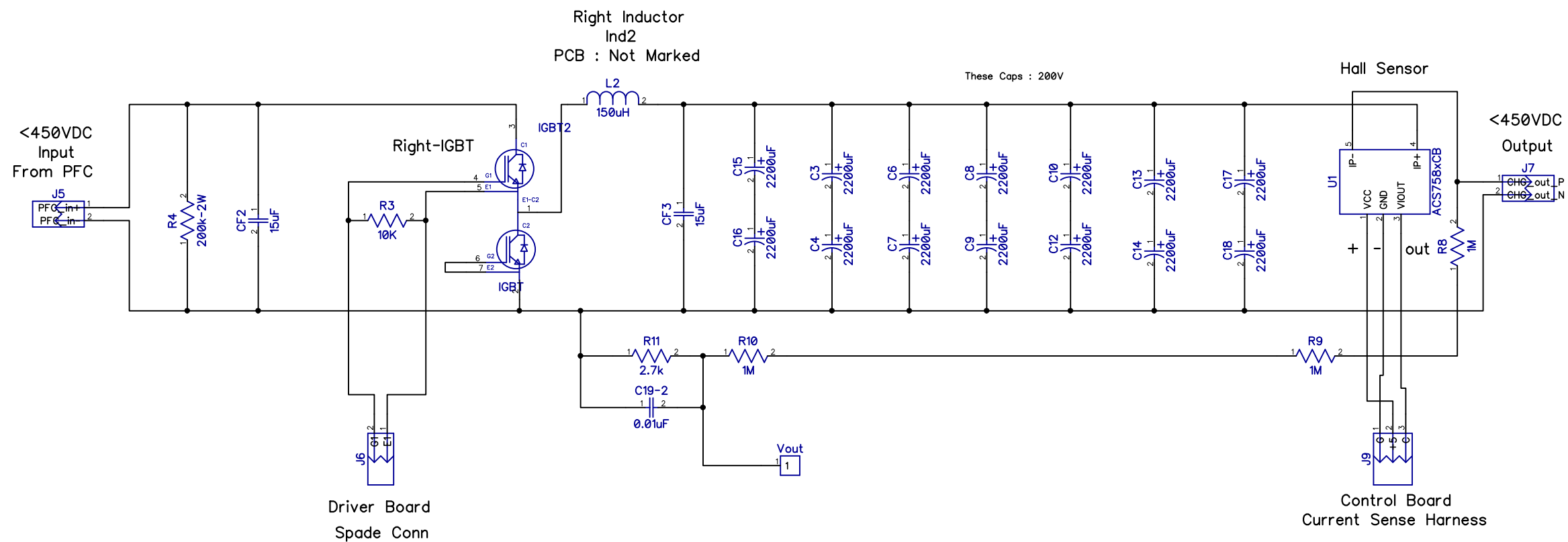


Power - PFC

SIZE	FSCM NO.	DWG NO.	REV
SCALE		PFC	



				Power - Buck			
				SIZE	FSCM NO.	DWG NO.	REV
SCALE		Buck					