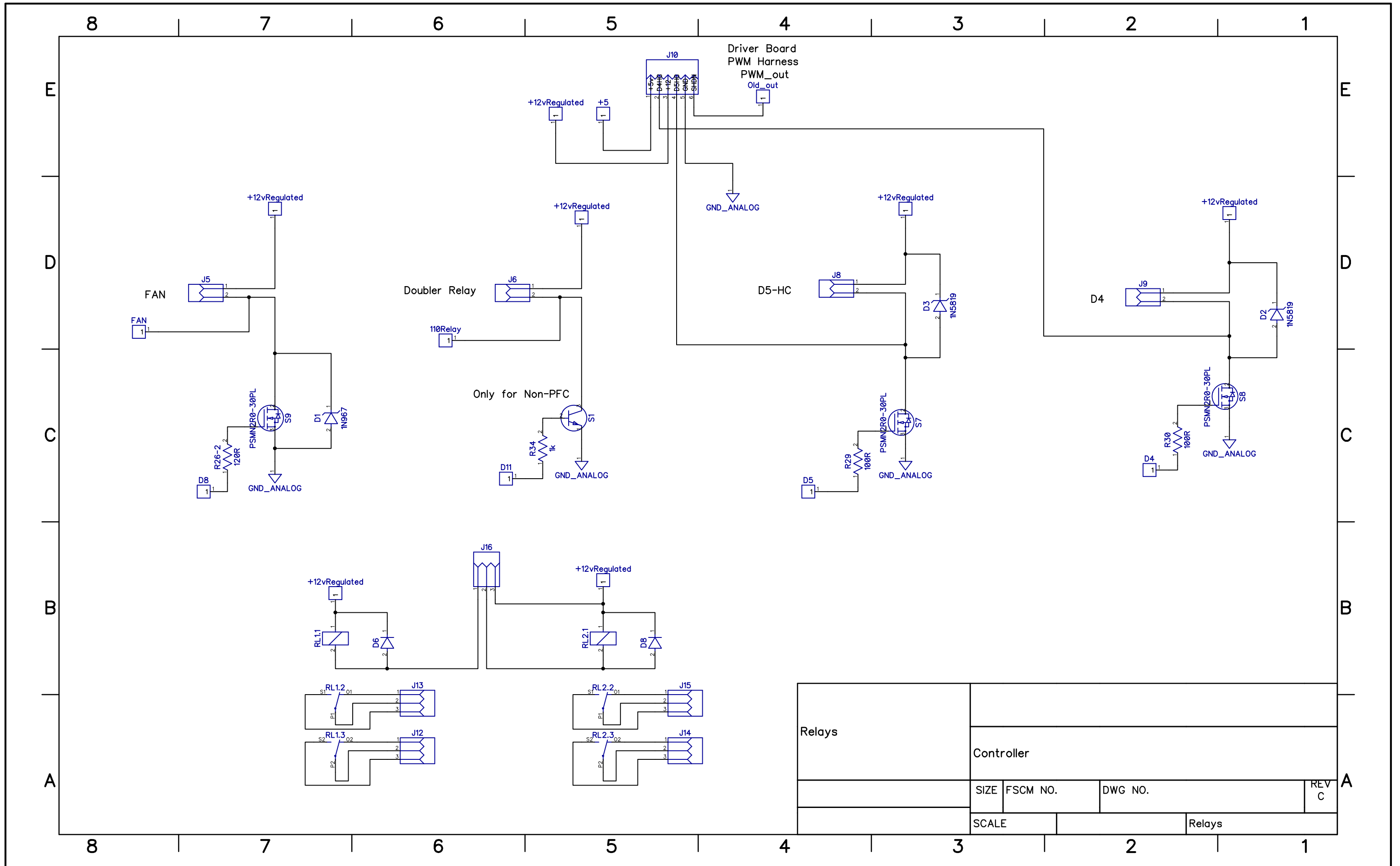
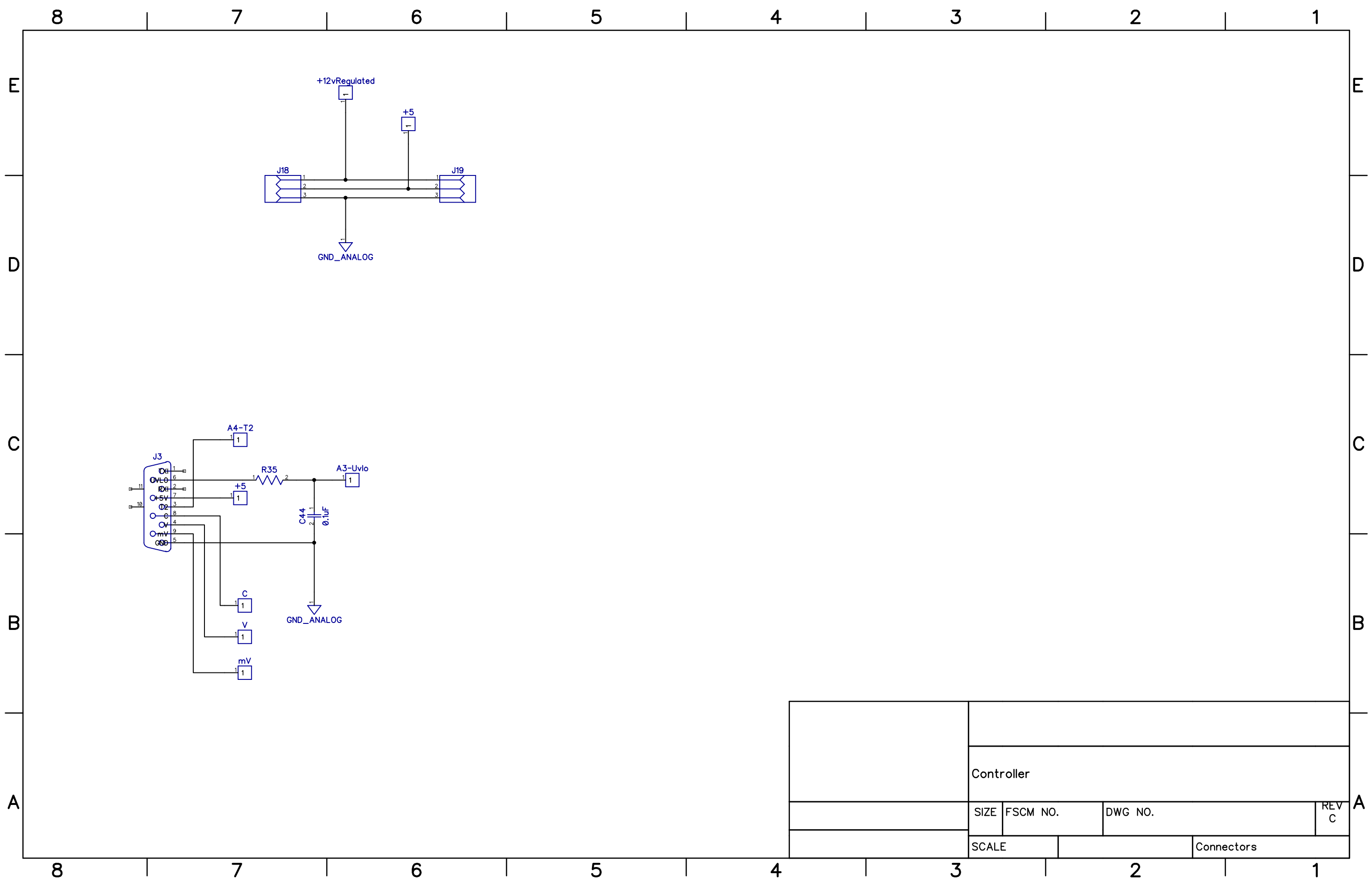


Controller			
SIZE	FSCM NO.	DWG NO.	REV C
SCALE	Controller		





		Controller		
SIZE	FSCM NO.	DWG NO.	REV C	
SCALE		Connectors		