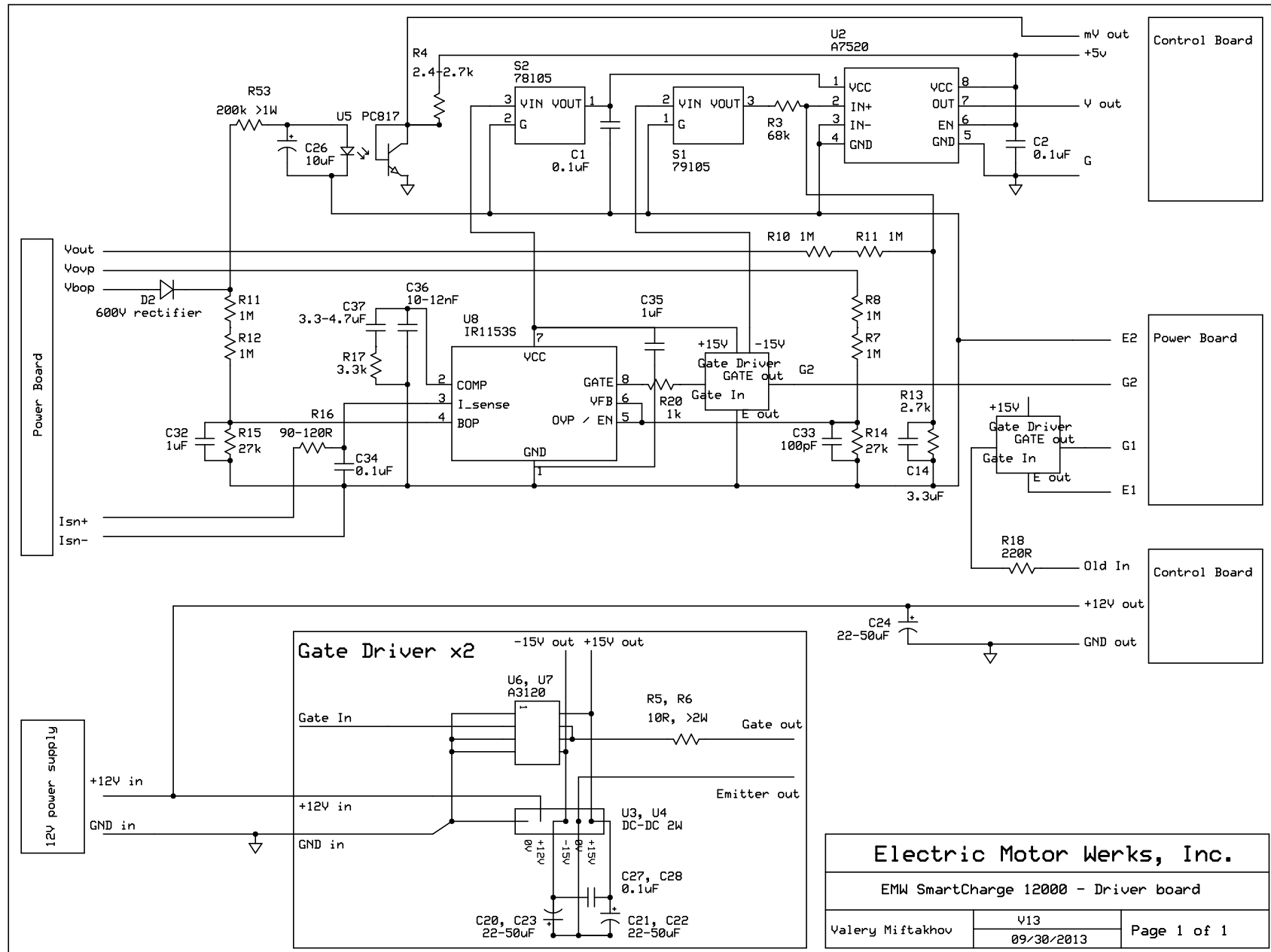


Note: V_{out} , $I_{sn+/-}$ power board connections are not used in the non-PFC version. Also, a number of components are not populated for that version. See detailed build manuals



Electric Motor Werks, Inc.

EMW SmartCharge 12000 - Driver board

Valery Miftakhov	V13 09/30/2013	Page 1 of 1
------------------	-------------------	-------------