

6

5

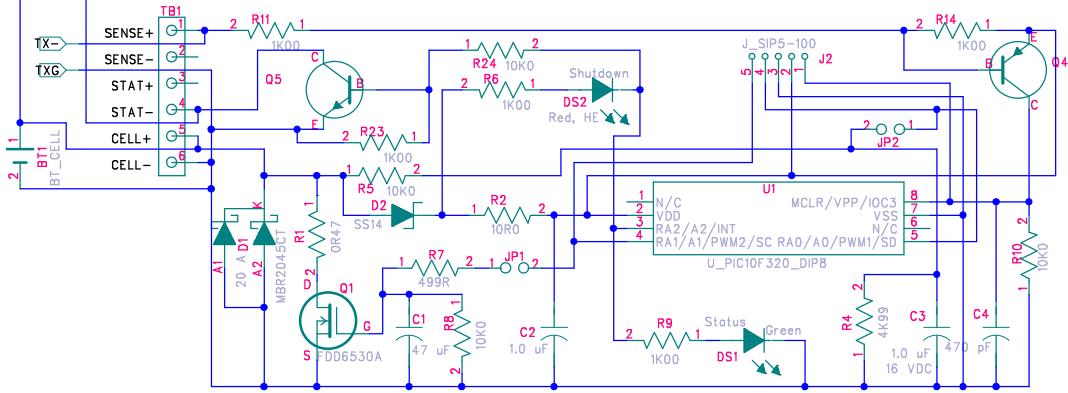
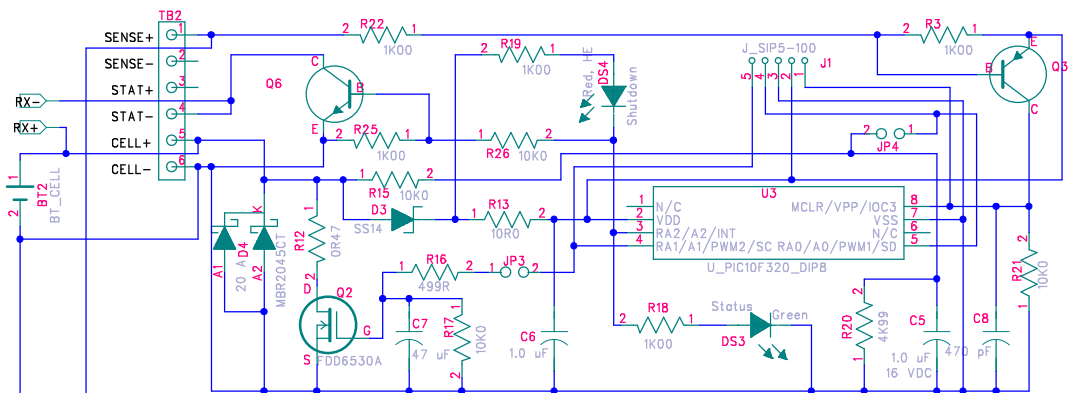
4

3

2

1

REVISION RECORD			
Rev Num	Description	App'd	DATE:



2.5V = low voltage discharge shutdown 3.0V Li-Ion
 2.6-3.3V = normal LiFePO4 3.1-4.1V - Li-Ion
 3.4V = top balance shunting 4.2V Li-Ion
 3.6V = Overvoltage shutdown 4.5V Li-Ion

D1 - Cell reversal protection - optional
 JP1, JP2 - Open for programming
 U2 on draws 5mA
 U2 pulsed low, sensed by next RA3 IOC
 Drive RA2 high for shutdown and DS1 on
 Drive RA2 low to pulse DS1, or tristate
 Pulses passed on if OK, no pulse means fault

DRAWN: Paul E. Schoen	DATED: 1/12/13
CHECKED:	DATED:
QUALITY CONTROL:	DATED:
RELEASED:	DATED:

COMPANY: P S Technology, Inc.			
TITLE: BMS_Protector_Tester			
CODE:	SIZE:	DRAWING NO:	REV:
SCALE:			SHEET: OF