

6

5

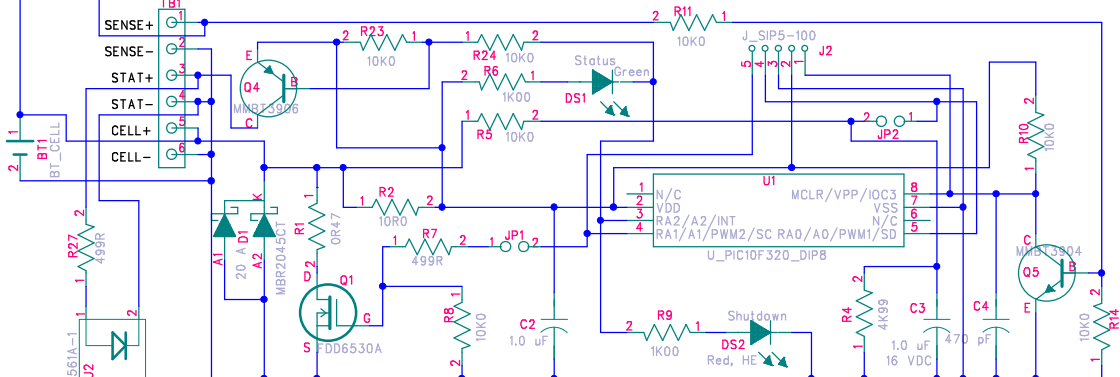
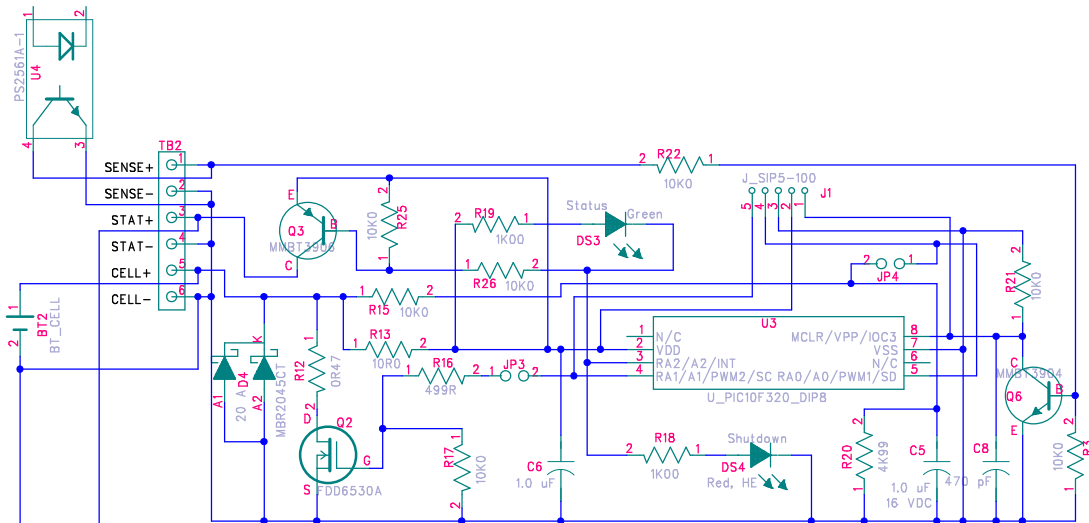
4

3

2

1

| REVISION RECORD |             |       |       |
|-----------------|-------------|-------|-------|
| Rev Num         | Description | App'd | DATE: |
|                 |             |       |       |
|                 |             |       |       |
|                 |             |       |       |



2.5V = low voltage discharge shutdown 3.0V Li-Ion  
 2.6-3.3V = normal LiFePO4 3.1-4.1V - Li-Ion  
 3.4V = top balance shunting 4.2V Li-Ion  
 3.6V = Overvoltage shutdown 4.5V Li-Ion

D1 - Cell reversal protection - optional  
 JP1, JP2 - Open for programming  
 U2 on draws 5mA  
 Drive RA2 high for shutdown and DS1 on  
 Drive RA2 low to pulse DS1, or tristate  
 Pulses passed on if OK, no pulse means fault

|                          |                   |
|--------------------------|-------------------|
| DRAWN:<br>Paul E. Schoen | DATED:<br>1/12/13 |
| CHECKED:                 | DATED:            |
| QUALITY CONTROL:         | DATED:            |
| RELEASED:                | DATED:            |

|   |       |             |           |
|---|-------|-------------|-----------|
| COMPANY:<br><b>P S Technology, Inc.</b> |       |             |           |
| TITLE:<br><b>BMS_Protector_Tester</b>   |       |             |           |
| CODE:                                   | SIZE: | DRAWING NO: | REV:      |
| SCALE:                                  |       |             | SHEET: OF |

D

D

C

C

B

B

A

A